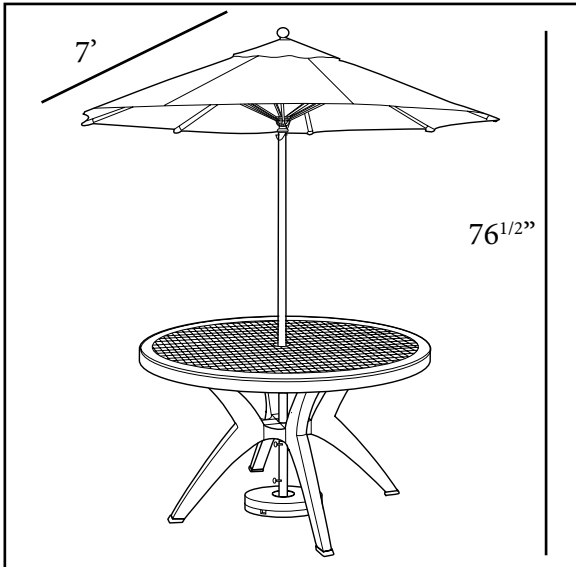




New Colors!

7' Round Market Umbrella with 1^{1/2}" Wooden Pole



Features & Benefits

Warranty: 5 Yrs. on Grade C Fabric/1 Yr. on Poles

- 7 ft. wooden market umbrella with eight ribs and vent. 95% sunscreen.
- Two piece 1^{1/2}" hard kempas wood pole for structural strength with brass connector for easy transportation and shipping. Can be shipped via UPS.
- All brass hardware to resist corrosion.
- Will fit all Grosfillex pedestal tables.
- A selection of Outdura® solution-dyed acrylic traditional fabric colors - Grade C.
- Fully tested to 1000 hours for fade resistance in laboratory tests to meet ASTM G53-96 performance standards for commercial outdoor furniture fabric. Fabric complies with ACFFA requirements.
- Pulley facilitates easy opening and closing.
- Fade, stain and mildew resistant.
- Umbrella is 8" higher when used with optional bar height bottom pole.