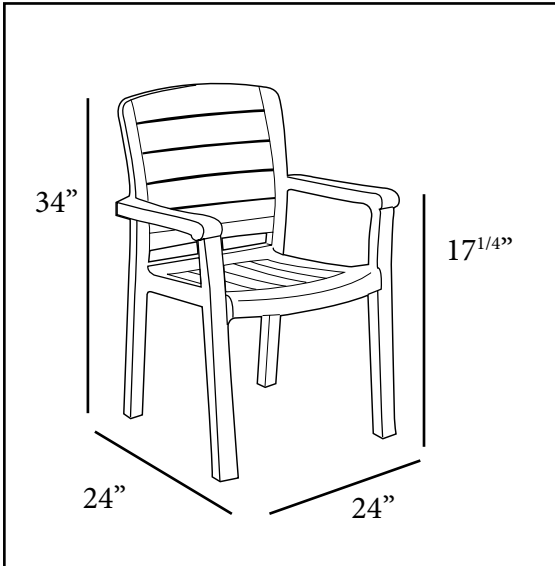


Grosfillex®

COMMERCIAL RESIN FURNITURE

Your best value for Food Service & Hospitality!



Acadia Stacking Armchair

Passes ASTM F 1561-96 Class B
performance standard for commercial outdoor seating

Features & Benefits

Warranty: 3 Yrs.

- Wood grained with a satin finish.
- Classy ladder-back design coordinates with the Atlantis Table Collection.
- Commercial grade outdoor armchair specifically made for food service and hospitality use.
- Rated to 300 pounds for safe use in commercial environments.
- Contoured seat and back for ergonomic comfort.
- 2" x 2" legs with hard wearing footpads for structural rigidity.
- Made of 100% prime resin, a material naturally impervious to salt air, chlorine and most common food and environmental stains.
- Specifically formulated to provide long-lasting resistance to U.V. light discoloration.
- Low maintenance item:
 - No refinishing
 - Easy to clean with soap and water
- Stacks for easy storage.