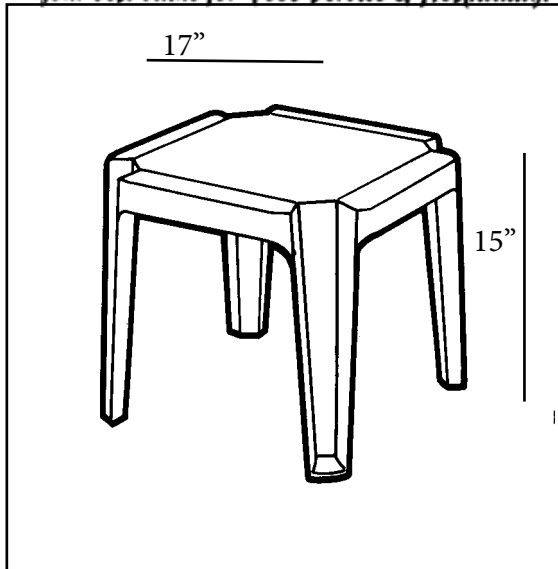


# Grosfillex

COMMERCIAL RESIN FURNITURE

*Your best value for Food Service & Hospitality!*



## Miami 17" x 17" Stacking Low Table

### Features & Benefits

**Warranty: 1 Yr.**

- One piece molded construction.
- Constructed of 100% prime resin.
- Stacks for easy storage.
- U.V. stabilizers resist color fading and deterioration.
- Withstands extreme weather conditions, from cold winters to hot and humid summers.
- Stays cool to the touch in the hot sun.
- Cleans easily with soap and water.
- Complements Grosfillex chaises and chairs on balconies and pool decks.