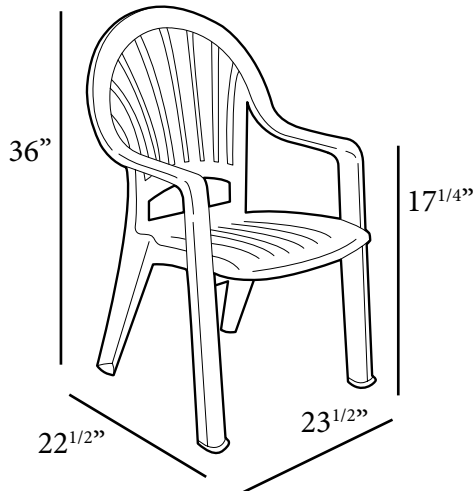




# Pacific Fanback Stacking Armchair

Passes ASTM F 1561-96 Class B  
performance standard for commercial outdoor seating



## Features & Benefits

**Warranty: 5 Yrs.**

- A food service and hospitality industry standard.
- Solid one-piece molded construction.
- Constructed of 100% prime resin; a material impervious to salt air, chlorine and most common stains.
- Resists discoloration because of U.V. stabilizers.
- Attractive high gloss finish.
- Heavy duty contract grade armchair.
- Fanback design provides a distinctive look, plus support and comfort.
- Rated to 300 pounds for safe use in commercial environments.
- Stacks for easy storage.
- Withstands weather extremes.
- Stays cool to the touch in the hot sun.